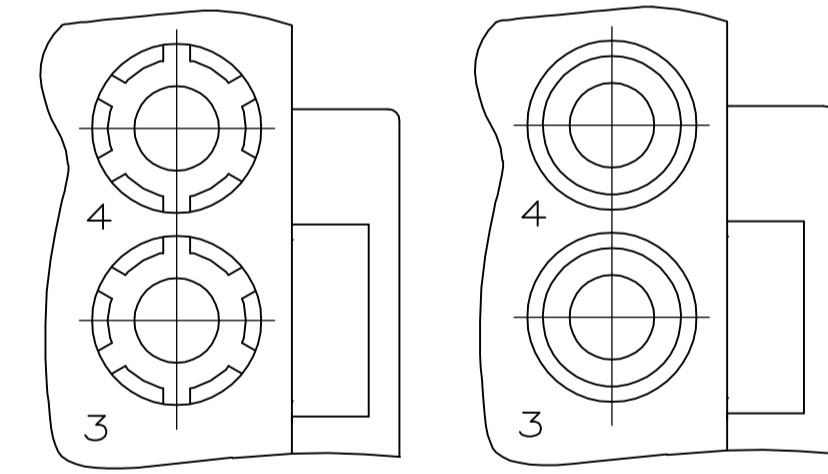
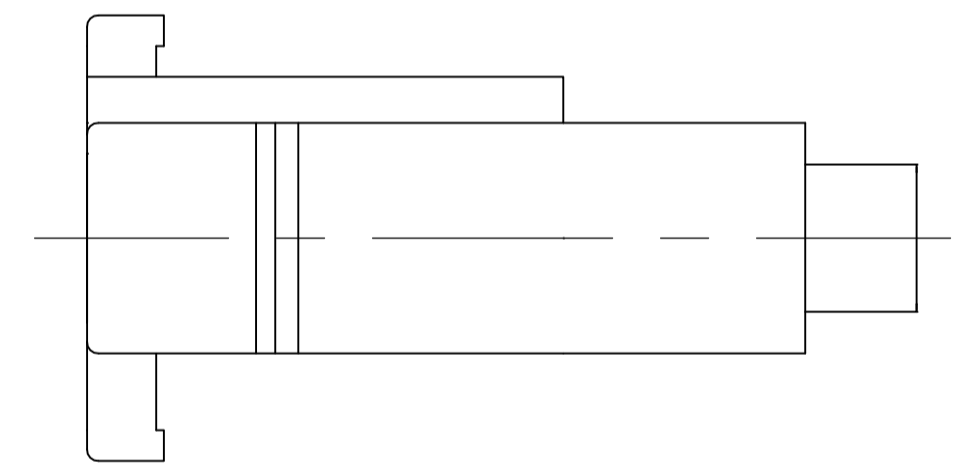
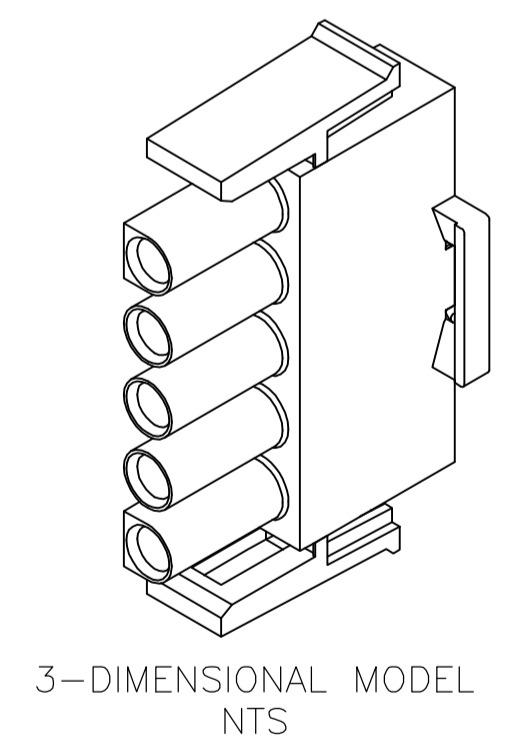


1. MATES WITH APPROPRIATE UNIVERSAL MATE-N-LOK™ CAP OR HEADER.
2. SMALL NICKS ARE PERMITTED ON THE CIRCUIT TOWERS WHICH COULD INCREASE THE INITIAL HOUSING MATING FORCE BY UP TO 4.4 NEWTONS [1.0 LBS]. NO INDIVIDUAL NICKED TOWER SHALL INCREASE THIS FORCE BY OVER 2.2 NEWTONS [.5 LBS].
3. DIMENSION INDICATED IS AS MOLDED. ADDITIONAL GROWTH DUE TO SUBSEQUENT MOISTURE ABSORPTION MAY OCCUR.
4. FOUR RIBS EQUALLY SPACED, NO SPECIFIC ORIENTATION. NO RIBS OR SIX RIBS EQUALLY SPACED, NO SPECIFIC ORIENTATION, OPTIONAL.
5. UNDERWRITERS RECOGNIZED COMPONENT LOGO AND CSA CERTIFICATION LOGO TO BE LOCATED ONCE EACH ON SIDE OF HOUSING.



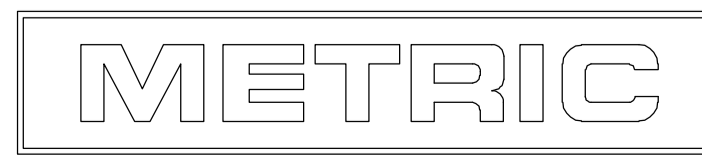
DETAIL A  
OPTIONAL CONSTRUCTION

BLACK	1-350809-9
GRAY	1-350809-8
BLUE	1-350809-6
GREEN	1-350809-5
YELLOW	1-350809-4
ORANGE	1-350809-3
RED	1-350809-2
BROWN	1-350809-1
BLACK	350809-2
NATURAL	350809-1
COLOR	PART NO.

SUPERCEDED BY 1-350809-9

33.02	1.300
27.43	1.080
14.73	.580
11.68	.460
7.62	.300
0.38	.015
0.13	.005
MM	IN

CONVERSION TABLE



THIS DRAWING IS A CONTROLLED DOCUMENT.

DIMENSIONS:	TOLERANCES UNLESS OTHERWISE SPECIFIED:	DWG	R. VESTAL	24FEB95	Tyco Electronics Corporation Harrisburg, Pa 17105-3608
mm	0. PLC ± - 1. PLC ± - 2. PLC ± 0.13 3. PLC ± - 4. PLC ± - ANGLES ± 0.30° FINISH -	CHK	R. SWING	24FEB95	
		APP'D	D. SELF	24FEB95	NAME
MATERIAL NYLON, UL 94V-0 WHITE		APPLICATION SPEC		PLUG, 5 CIRCUIT, UNIVERSAL MATE-N-LOK™	
WEIGHT		SIZE	A1	CAGE CODE	350809
CUSTOMER DRAWING		SCALE	4:1	SHEET	1 OF 1